

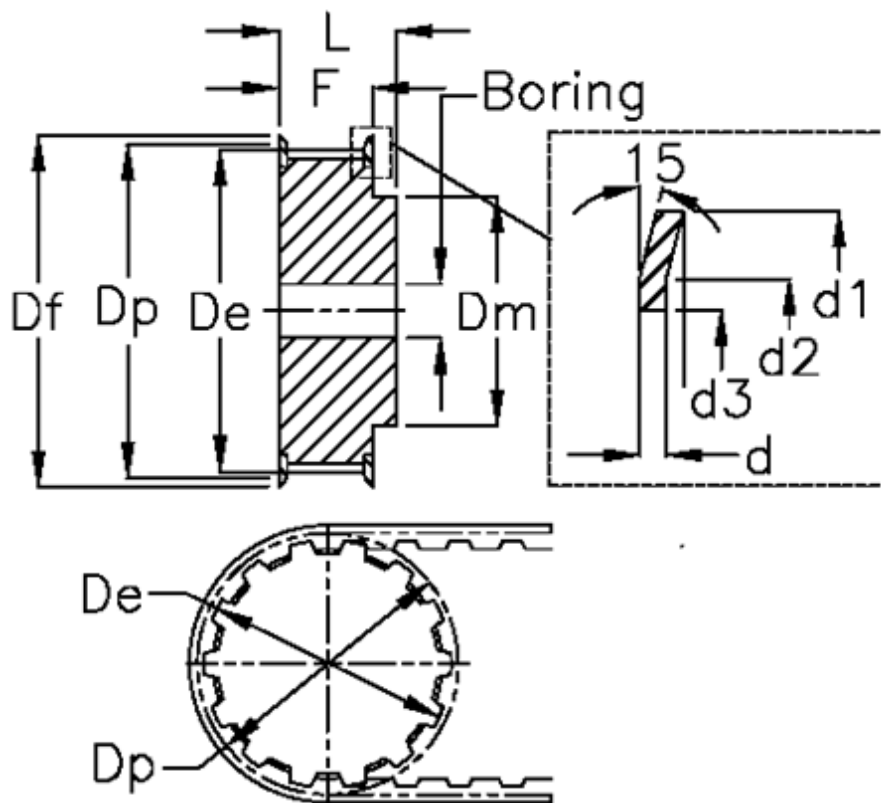
Data Sheet



Article number: 604142032015

Description: Timing belt pulley with hub
HTD 32 5M 15

Measures



Bore = 8	Dp = 50.93
d = 1	F = 20.5
d1 = 54	Flange type = F20
d2 = 50.5	L = 28
d3 = 43	Tooth number = 32
De = 49.79	Type = 5M
Df = 54	Weight = 0.35
Dm = 38	Width = 15